

# Free Energy Quest

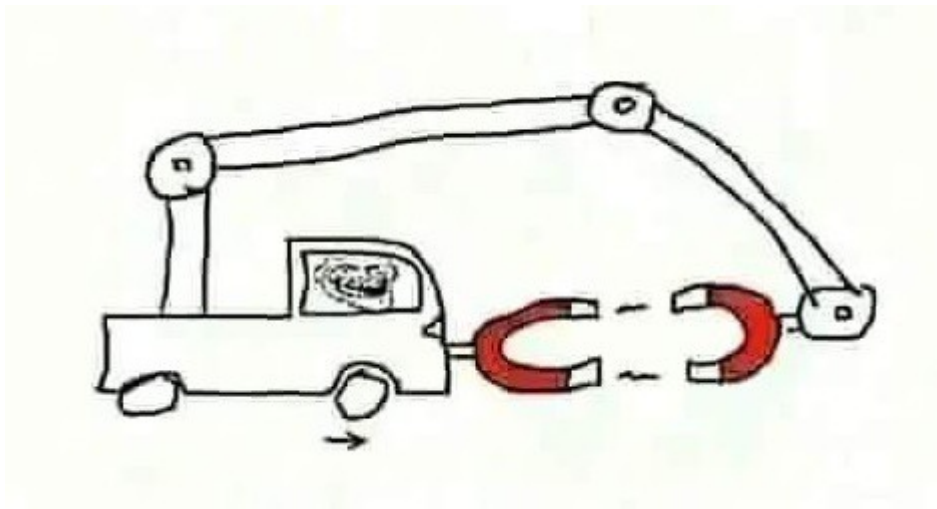


Table of content:

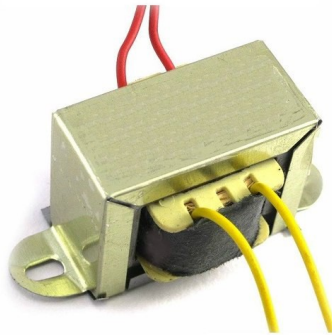
1. An audio amplifier as a free energy generator.
2. Understanding Kapanadze.
3. Impulse system as modified power supply.
4. Qmogen systems.
5. Essential electronic component chain systems.
6. Negative Return.
7. Barbarella.
8. 4 wheel drive car with generators instead of wheels.
9. Modo.
10. Joule Thief.
11. Transformers.
12. Ohm Reducer in Low Power Electronics.
13. Dual.
14. Hendershot Coil.
15. Caplos.
16. Drinking neutral.
17. Carat Trax.

# 1. An Audio Amplifier As a Power Generator. (Only Ground needed).

This system I call **PAULOS** that is a shortcut of *'Power Amplifier Under License Overunity System'*.

**STEP 1.** Choose amplifier. All with power between 10 – 50W will be suitable. Especially older stuff from 70's and 80's. Sometimes it is written that power is 100W or even 800W. Though in fact the real power is 30W so that the amplifier is suitable for our purposes. I've chosen McTaato Nightline 400. You can try with kits from TDA2030 to higher powers. Give good heatsinks. Give two independent 47kohm potentiometer for two channel. With pots we will change the voltage.

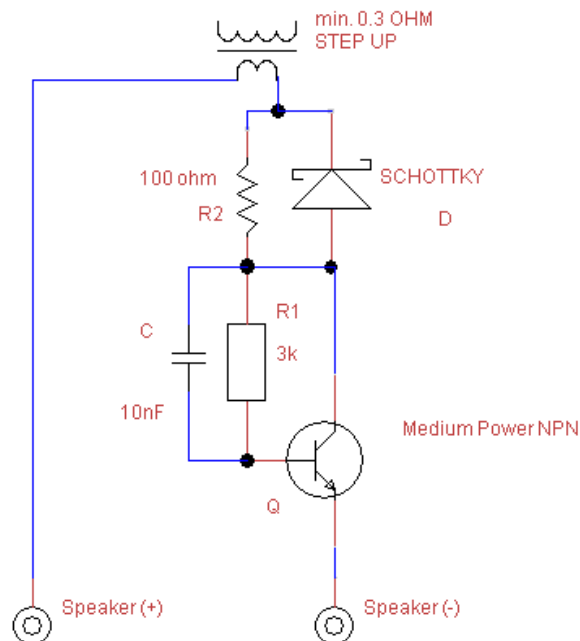
**STEP 2.** Correct heatsink for the last stage of amplifying. Sometimes it is good to screw some piece of aluminium tin more into our heat exchanger.



**STEP 3.** Use Step-Up transformer instead of speaker in the LEFT CHANNEL. An ac line transformer of maximum power 15W like 230V/12V or 230V/9V (US 110/12V) with at least 1.5 ohm on the secondary winding measured with multimeter (resistance) is needed. Very often suitable transformer you may find in the boombox. Caution: Measure the winding resistance to save your amplifier and avoid overheating. The transformer is connected reversed (step up). 1.5ohm is the absolute minimum. You can give 0,22ohm-0,33ohm/3W resistor in series if the amplifier is overheating.

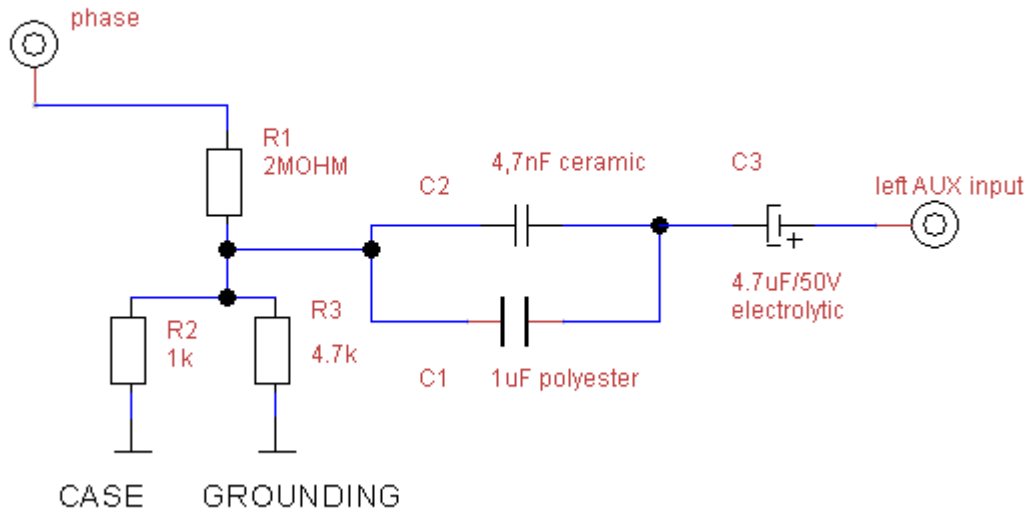
If your transformer has the right voltage but doesn't fit with impedance, you should try Dynamic Key circuit:

## Dynamic Key (for low impedance step up transformer)



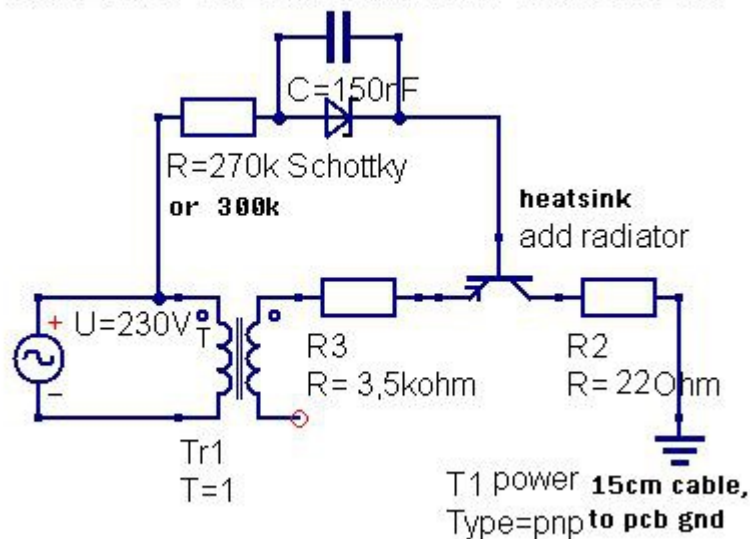
**STEP 4.** Trigger the transformer with the right noise. Set your volume to such level that you achieve the right voltage on your transformer output. This you will connect into AC IN of your device. Watch out the potentiometer! To get the right 50hz hum noise you may put a long wire into the left in or put the signal from phase via resistor divider like 500k a 1k and take the signal via poly cap like 1uF. This is better option. I was trying 1MOHM and 2.2k divider and it worked for me.

## PAULOS - GETTING SIGNAL



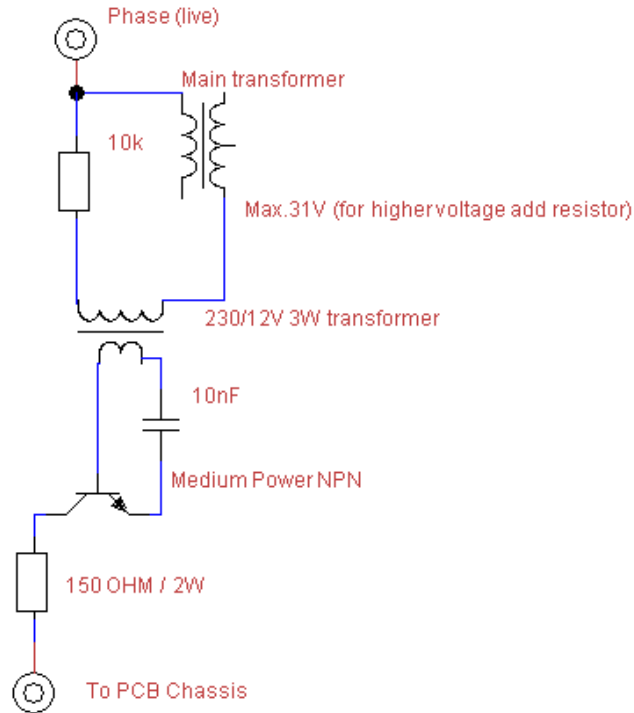
**STEP 5. unnecessary.** Make a booster for amplifier PCB. It triggers the pcb neutral to have ac noises in it. Set something like this between transformer and PCB GND. The transistor is power PNP, the diode is Schottky 5A/100V. The resistors are 2W minimum. The capacitor is poly. You may adjust with resistors how many ac noise goes into your amplifier. Even those who managed to build ac power generator from an audio amplifier didn't know this little secret that adds power into the system. It may be enough to use resistor and diode, but i recommend to add transistor into job. Play with resistors to get better effect.

## PAULOS GENERATOR BUSTER



Or use Bulg circuit, it gives different sound:

## Paulos Bulg High Energy Booster Addon

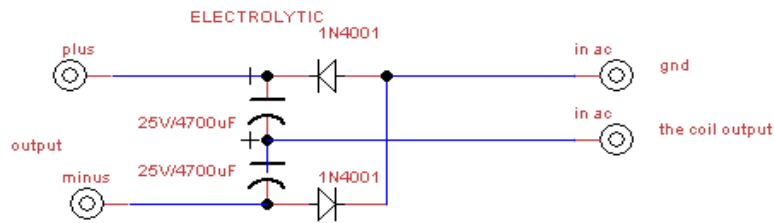


**STEP.6** Getting overunity with the right channel. Take a 15-20cm ferrite rod from old radio (am antenna rod), put a winding on it from 4000-6000 turns of enameled wire (0,2-0,3mm<sup>2</sup>). Don't use any plastic pipe, put wire straight on the rod. With the whole diameter of 26-30mm and induction minimum 100-120mH (better more) this should give extra current into the power supply.



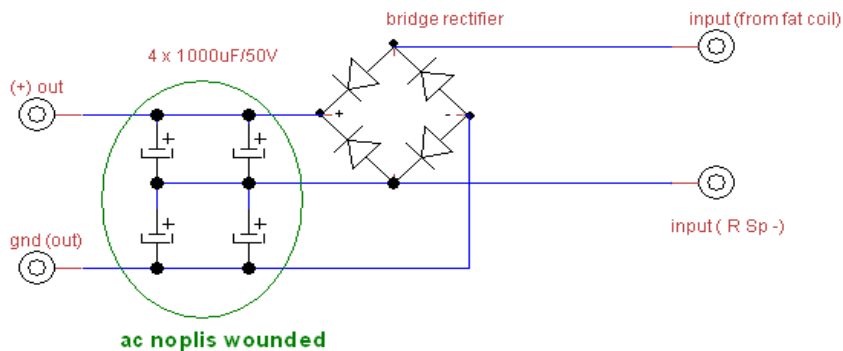
After the coil you normally put voltage doubler.

## Voltage Doubler



Full wave voltage doubler may be used also with better efficiency.

## Full Wave Voltage Doubler



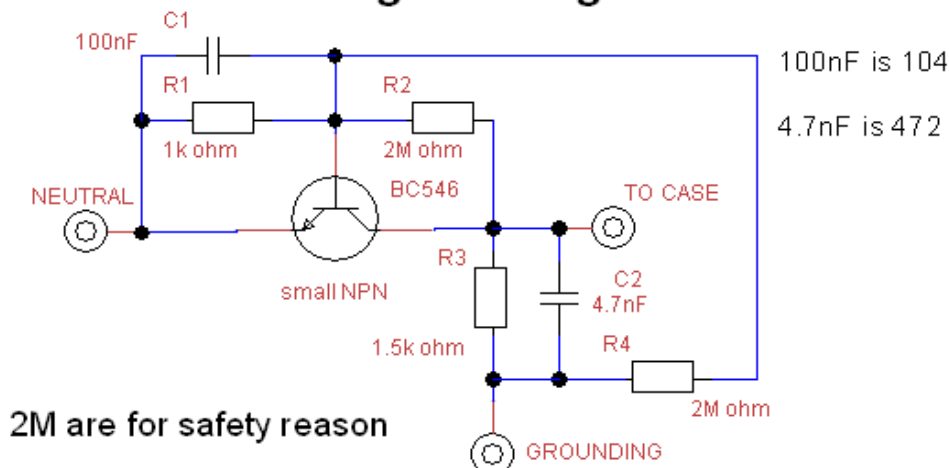
For better effect cut the right channel minus from chassis.

**STEP.7** The signal should be **1kHz (may be tuned bit)** triangle or sawtooth **2-4V** (overload) for THE RIGHT CHANNEL that you may achieve using small wave generator with amplitude adjust based on **555 timer**. Be aware not to give more than 5V voltage on output, cause you can blow your amplifier. You may lower down some resistances in the right channel to achieve more voltage on the output. Such coils works much better when the voltage is higher on the amplifier, so changing some resistances for lower in the right channel may be very helpful. The signal after the voltage doubler via another diode you put on the plus of power supply, if its linear, you leave the minus, only use gnd and plus. In some cases even simple output 555 triangle timer kits will do the work if the amplitude is set right. But probably better **sawtooth signal**.

**STEP. 8** Ground your case. Ground also neutral.

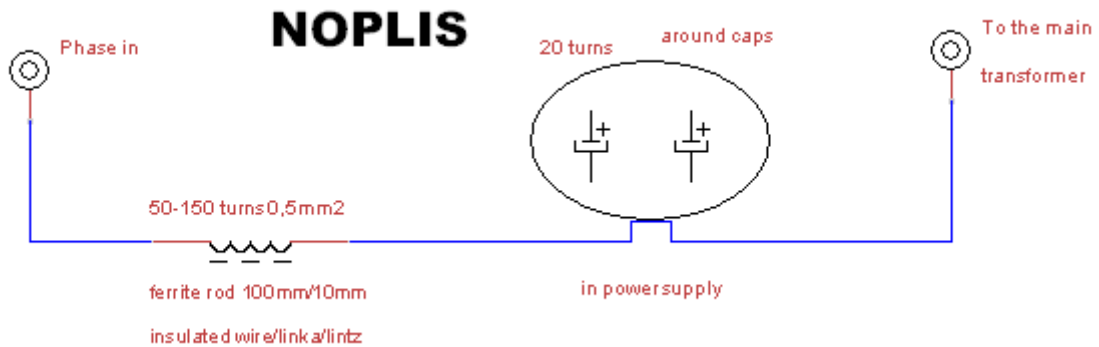
You may play with extra connection via transistor that give extra power into system, but this may not work for every solution. I tried this connection, and somehow it was better. Its strange thing but was working for me. A little NPN transistor was fine here like BC546 or BC338/BC238.

## extra grounding



**STEP. 9** Give a momentary switch button to start your system from ac line. To start only phase is needed. The installation though must not use residual current detectors in the direction to power bill meter. Be aware on socket sides. In normal case the phase is in the left part of the AC inwall socket. Check the sides, and make a sign on the plug where is the phase. You cannot mess the sides, because neutral is connected with grounding. If you want your system to be safe for residual current device, give a double channel switch (START/WORK). (6 pole)

**STEP. 10. recommended.** NOPLIS – very important wire. Take single insulated wire (linka, lintz) few metres long. Take another ferrite core from old radio, could be shorter like 80-100mm. Then wound a Noplis on the core and around the main capacitors. The old thick caps suit it better than the modern one. If you have modern amplifier with little caps, solder the old one to the supply on cables as additional and wound the wire around them, don't use  $\infty$  topology if you have 2 caps in linear supply. Just wound the cable on both.

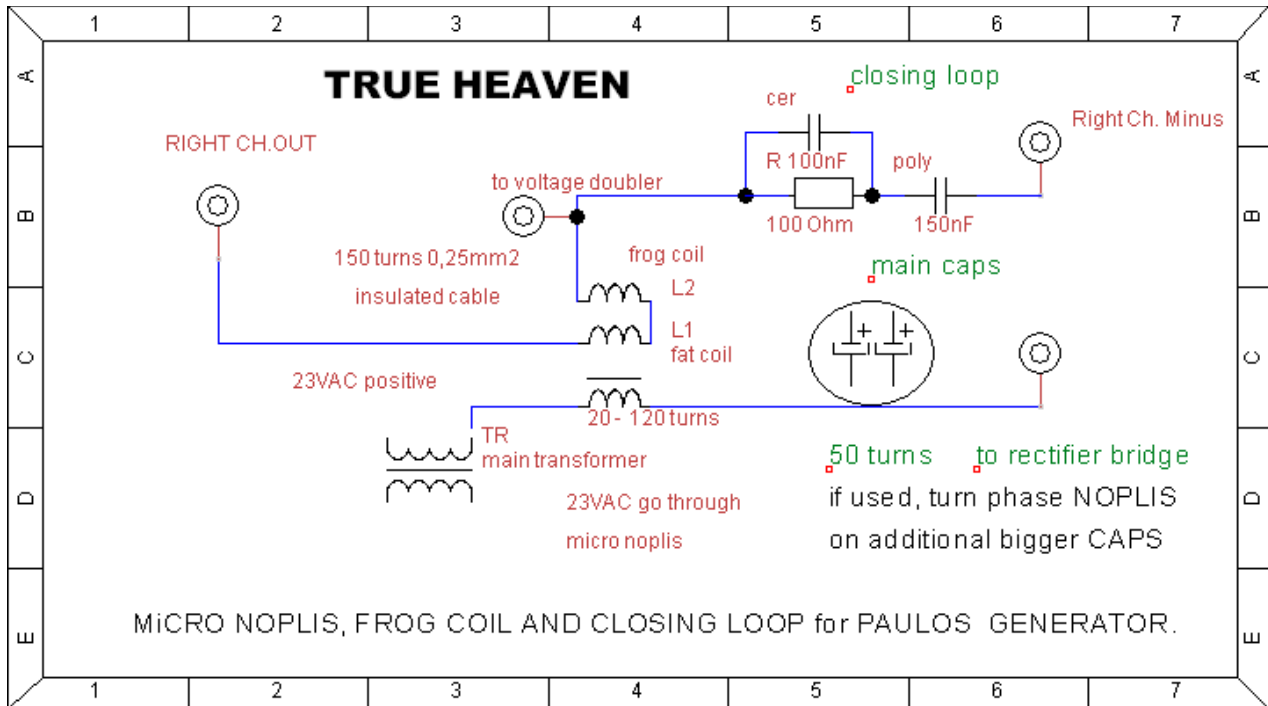


Wound up to 300 turns on ferrite core and caps. More does not count much for efficiency.

**STEP. 11.** Install 'blue AC socket' or two of such into your power amplifier. The output is on the main transformer where 230VAC happens. Now you have a free energy generator.

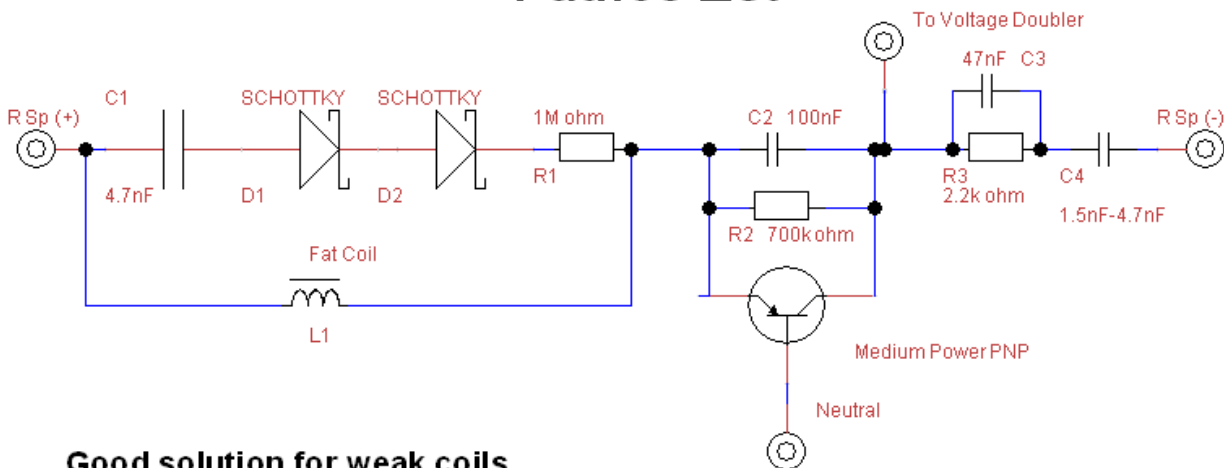


**STEP 12.** Close right channel coil with minus wire by RC circuit and wound a frog coil on existing coil:



Most of amplifiers will work with 150nF cap and a resistor between 50-100ohm.

## Paulos Zet



**Good solution for weak coils.**

**If used with 'Final Cut', use one stage only.**

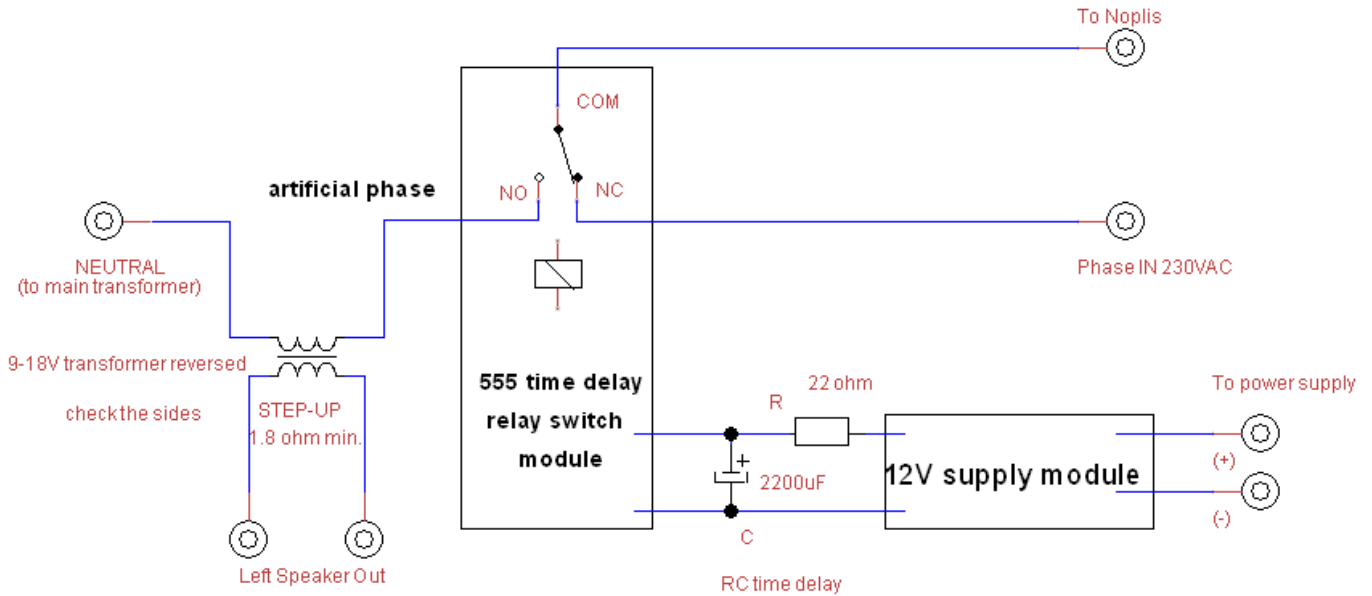


**Paulos Addons:**

**1. AUTOMATIC.**

Here is how to make automatic. i tried this system and it works. the RC stage is to save the relay in case it won't self power. Very important thing here. Without it the module would close and open very rapidly.

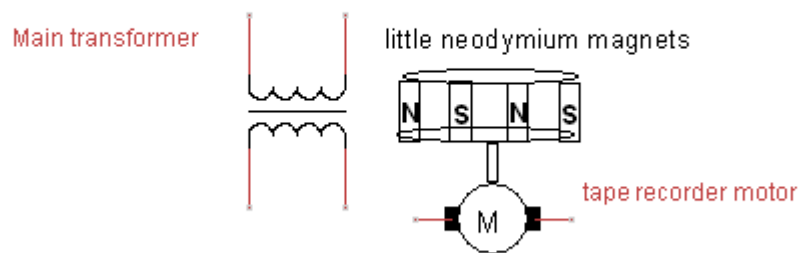
## Automatic For Paulos



**2. MOTOR POWERED.**

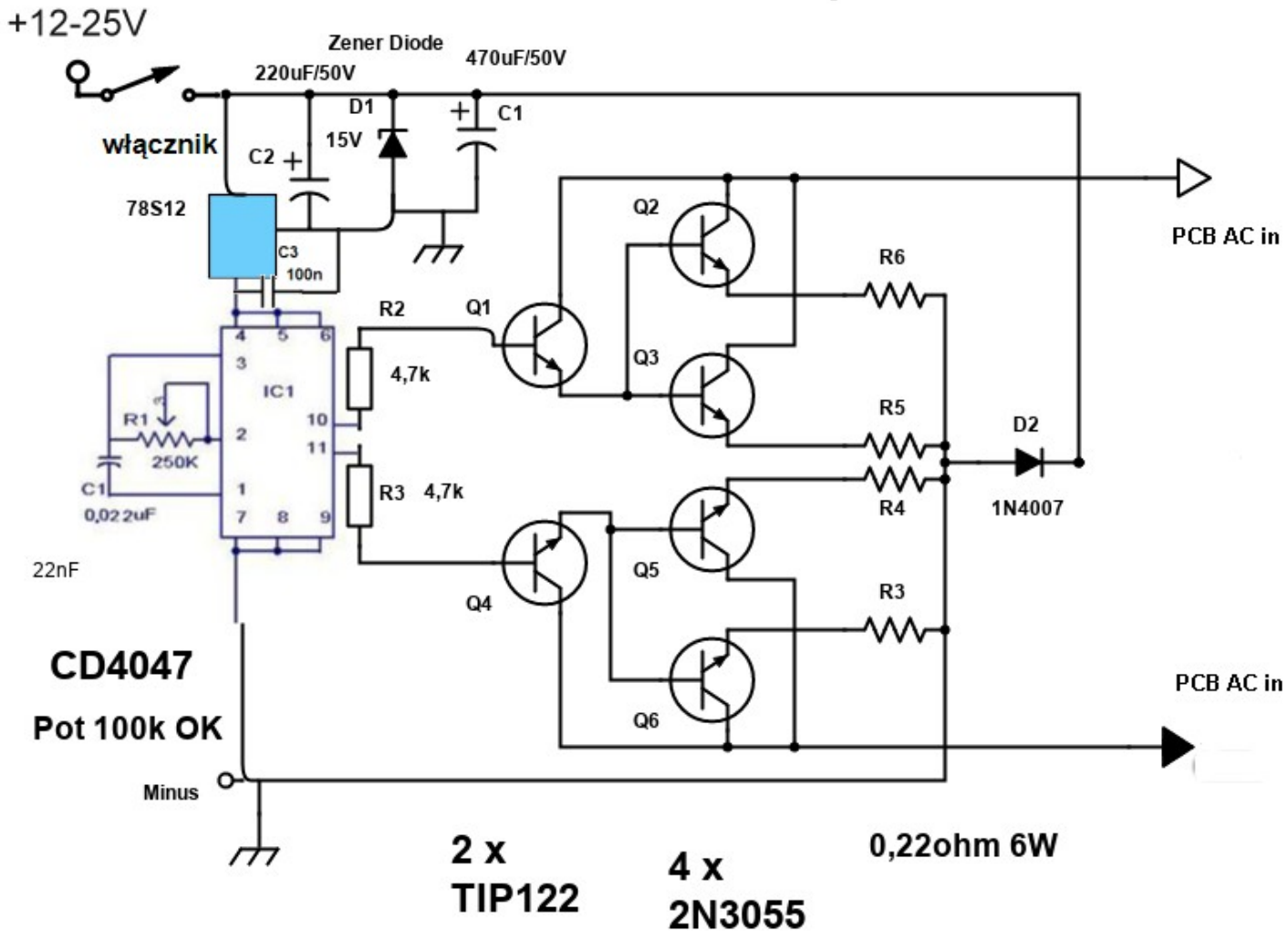
Search for the right angle according to windings direction.

## Paulos - Motor Powered



3. INVERTER to start the system from a battery.

### Inverter to start an amplifier



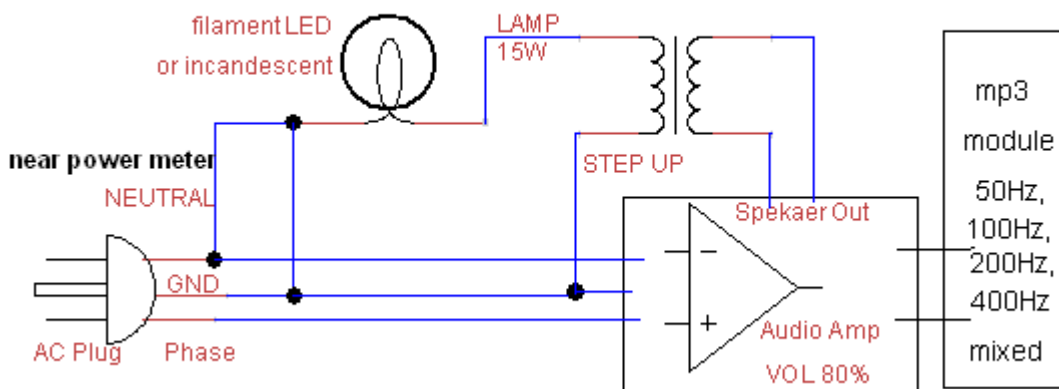
Especially for Carat Trax Battery.

regulate potentiometer to 50Hz,  
needed frequency counter

4. MP3 module

The one I had was only to cheat the meter utilizing mp3 where I was testing different hum records to suck the neutral with a bulb. The mp3 plays loop on MicroSD, the sinus sound is achieved in Daqarta Software. Also you may use normal 'getting signal' circuit. Will work aswell.

### Paulos - Looser (non RCD grid line)



### **Additional talking:**

1. With 1 ohm transformer the amplifier may overheat. There are many 12V transformers that have 1.8 ohm or more, just search.
2. You show noplis goes into gnd. This is mistake and would make a short circuit. If you would even take only signal from phase and wound around the main caps this may help. I mean in noplis to 'go through'.
3. Neutral needs to be grounded. Only one output of transformer is suitable. Put a normal 15W max! Lightbulb and connect your grounding to different ends and find is there any voltage raise(more light). Then ground this side. Set the voltage on potentiometer to 245-248V unloaded. You may try with my extra grounding.
4. Sometimes, especially if booster is used to put pcb gnd into vibration you may connect tops of the caps(the alu cover) with mass. This is another trick(captret effect) i used to use back in the day.
5. Your schematic is not safe for rcd. Though this breaks kirchhoff law and You may see your meter consuming half of the power. Just install it to nearest wall socket to power meter (5 metres or lower).  
To be safe for rcd you need to use dual channel start switch and 'believe' in your caps for a second.

I have some images how I wound the coil. Yes in Poland we say radiator for heatsink. Sorry for my weak language. I am still learning.

I don't know where the overunity comes from in this system, but I think it's very easy to do. You may adjust both channels using Daqarta program and a computer with soundcard that does not cancel 50Hz noise (most modern laptops mute this frequency at the level of a soundcard). Maximum frequency for left channel is (50,100, 200, 400Hz) 600Hz and for right channel that should be loud hiss. Once I did a 2V whistle of 2 transistors for this channel, the freq. should be sth like 1-1.3kHz with a triangle or sawtooth, it doesn't matter much, though it needs to be loud as hell. Also modifying the amplifier that it will give higher voltage on the right channel is well seen (exchange some resistors for lower in most cases), then you give from RIGHT SPEAKER OUT a coil with about 5000 turns of wire simply wounded on a ferrite core (i always take enameled wire from OLD TV - the one around the screen), put into a voltage doubler and via schottky into plus of a power supply. also good technic is to wound phase wire before it goes into transformer around the capacitors with insulated cable. then some voltage induce in the caps. There's also special signal to captret the caps (to treat their tops with special signal, I know the specification of this signal and I will describe).

I'll try to describe this technology as good as I can. I was fighting more than 2 years to remind, especially how I was making the booster, because most projects on this topic I made in my childhood in the attic and I almost forget it all. And that audio stuff is easiest method to achieve free energy. I had also successes with combining Kapanadze coils with amplifiers as a teenager. I'll try to describe this aswell. I am sure this technology like SR193 or Dally really works, cause I was succesful in making this stuff.

if a residual current detector is used, i advise starting the system from UPS. or any 12v battery with inverter. this makes it even more portable. first, connect the grounding. also maybe when using my mentioned connection via transistor, the safety switch may not turn off the voltage. I didn't try yet, though my experience with residual current safety switches aren't fine for paulos.

hope this idea can help.

in Poland we use RCD only in kitchens and bathrooms separately.

Noplis is a kind of a simple trick with the phase. You need several metres of 0.5mm<sup>2</sup> insulated wire. You go from where phase is.

You leave 30cm spare, take a ferrite rod 100mm minimum and wound around it about 50-100 turns then left another 30cm and wound the cable 20 times around the capacitors in the supply then you go into the switch of an amplifier. This is noplis. Some of amplifiers need only these and step up transformer to go overunity.

Right channel needs many turns like 4000 and noplis only about 50 to work. In noplis cable 230VAC goes, but before transformer some current is added to it on the ferrite rod and also capacitors are charged. This is a whole different thing.

With noplis and transformer go the one with the big caps, before the miniaturization. Polish Unitra amplituners Elizabeth or Radmor 5102 i've tried and they worked, though my prototype was stolen ;/. this is only a piece of cable, but really gathers somehow overunity into the system. maybe even this nightline would go :) always you can found an old capacitors, solder them into the system and try :D. The new capacitors are miniaturized and don't

gather the electricity that good. I also was checking this technology (wounding caps) for the Kapanadze resonance and for the 40mm caps there was something in it.

I think many of the old stuff would go, but nowadays this may be expensive to grab cause people treat them as vintage...

but yes, start with the noplis trick and transformer. if this would be turning off, there is right channel still. I won't play with booster for a start. I recalculated that 55 meters of enameled wire is minimum. You can wound even 80m there. This is because an amplifier in standard without tuning the resistors wouldn't give enough voltage on output for coil. the voltage doubler gives still hope to hold the supply.

For noplis you need rather insulated cable (like the one used for fm antenna sometimes, but longer) Because enameled wire doesn't have proper insulation. I think 5m would be enough. Ask in the store for electrician or stores like obi, ikea. I don't suggest using enameled wire to wound around capacitors.

yes, this transformer will be used on the left channel instead of a speaker. to mount it you need to drill two holes, somewhere near the existing transformer. install it with M4 screws. desolder two cables red and black which goes into the speaker socket and connect it to the yellow cables. put voltmeter (this little with led indicator) on the output. put a long cable in the left rca socket, regulate the potentiometer from zero and see if you can achieve any voltage higher than 100 volts. now take ground cable. you will put it **only to one of the outputs (blue or brown colored), the one when voltmeter shows a few volts more. this will be our neutral together, and the second will be an artificial phase. if you want to stay with the colors, reverse the yellow cables. does your radio has a ferrite core ? (am antenna). you can dismantle it. may be helpful for one of the tricks with phase :).** Maybe You have some old radio tape recorder with right transformer? Ask neighbours. Open the case and measure the resistance with multimeter on the secondary. If it's 2ohm or more this will work:-).

I didn't try with TS6/63, but it may be too weak. In instruction i said 15W and this is only 6W. Trafo selection isn't that easy, cause the secondary impedance counts. Most of trafos have something like 1ohm, and we need something like 1,8ohm minimum. I think a better option is to buy used radio and my proposition is Philips AQ5150. Trafo in it will work for our purposes. Search for broken or used Philips AQ5150 on auctions. This should be cheap.

Here you have video with voltage doubler, its output is going into power supply of an amplifier.

[Dc voltage doubler Circuit - YouTube](#)

between the capacitors you should put output of the coil. the diameter of enameled wire is 0,2mm<sup>2</sup> to 0,3mm<sup>2</sup>, its not that important. right wire you can find in old crt tv, it goes around the screen and is insulated with a black electric tape. You can remove the insulation and then wire manually the coil. 5000 turns means about 55-80metres of wire. most of amplifiers use linear supplies, and the volts are sth like +/- 22-28V. When you achieve 18-20V on the voltage doubler output this may be enough. But don't forget the safety diode on its output in series (the schematic lacks it).in most cases there will be only one potentiometer to regulate both transformer voltage and coil. so it is good to have an amplifier with two potentiometres. The schottky is unnecessary or better do it without it.

#### **a workable 3-phase AC power supply.**

I will tell you how in few sentences. Take a Robotron RS2500 or RS2510. if you have good skill in electronics i'll try to teach how to make 3-phase system of an amplifier. sadly only few of amplifiers are good for these because of mounting. there is another trick called 'grabber' that you wound around the existing transformer with insulated cable. but i think 1000 turns are needed to this and old type of transformer. i didn't try with cake transformer (toroidal). then you make step up with transformer. this is phase 'G'. Phase 'B' you get as in standard and Phase 'F' is step up after the coil on right channel (needs to be triggered with 50hz not 1khz, but use a 2.5v overload and tune the resistors in right channel). you still use voltage doubler to hold the ps. so you need at all 3 step up transformers which one of it needs the right impedance . and the R S T i equal to G B F. though the phase are not superb in degrees, this needs tu be tuned a bit. i don't know how to measure phase degrees, maybe with a scope... this gives only a 1-1,5 kwatt of power, but 3 phases , so you can run a motor that runs an 3 phase 10kwatt AC generator (qmogen) and have household powered. give it a try stereo is enough. the only problem for grabber is how transformer is mounted. But Robotron RS2500 is OK. I've managed to build such 30 years ago for an amateur of strange inventions.

3rd channel is rather used to play captret signal for alu covers of capacitors. You play it loop from mp3. 8hz noisy beeps are the best. like the one used to set brain into alpha state. here you use 4,6,8 and 12Hz only, <https://mynoise.net/NoiseMachines/binauralBrainwaveGenerator.php> record and play loop at maximum

volume. again correct resistors in third channel to get more voltage on output. use a soundcard without hum noise cancelling (some laptops use this, try on ATX). Then you connect the signal to most of the big caps around (easier for older units). You may use even two thick coils to have even more current.

Erratum:

In getting signal: use 4M ohm resistor on input to silence more the device (less powerful)

In inverter for battery: Plus must be connected to the centre of transformer.

In Carat Trax powering up an amplifier: use it with switch only to start.

In Jawik: Transistor must be in sawtooth mode (one is enough), start from a 9v batt.

In Right Channel Self Loop: Search for a transistor only sawtooth gen. application (3 transistors is enough).

In Extrasync: 300 ohm resistor is minimum between fat coil and transistor.

In Dynamic Key: You may use 4k or 5k resistor to silence the transformer more (may be less powerful)

In Bulg: Use few ohms resistor on secondary side of a main transformer for higher voltages. Use resistor on output from 500HM and a cap up like 22nF or 47nF to achieve different sound of PCB Chassis.

In Self Sustain Power Supply: Give seven independent Con Duo looped separately by 1k ohm resistor in parallel. after some series you may try giving one diode only. energize it. in keeper watch out for caps max voltage, if you don't have hv caps it give three in series (- +/+ - /+ -). Use 18V and 12V heavy transformers. (max 24 and 12v trafos).

In correcting phase angle con duo and antenna: use 8 topology for antenna - min. 2m long wire.

Experiment with caps, the last one cap is the most important.

In Modo: don't mount first transistor on the same heatsink without insulation. You may use less transistors but with weaker effect. use it offline (with no additional power). Start with safety 5 ohm power resistor on input.

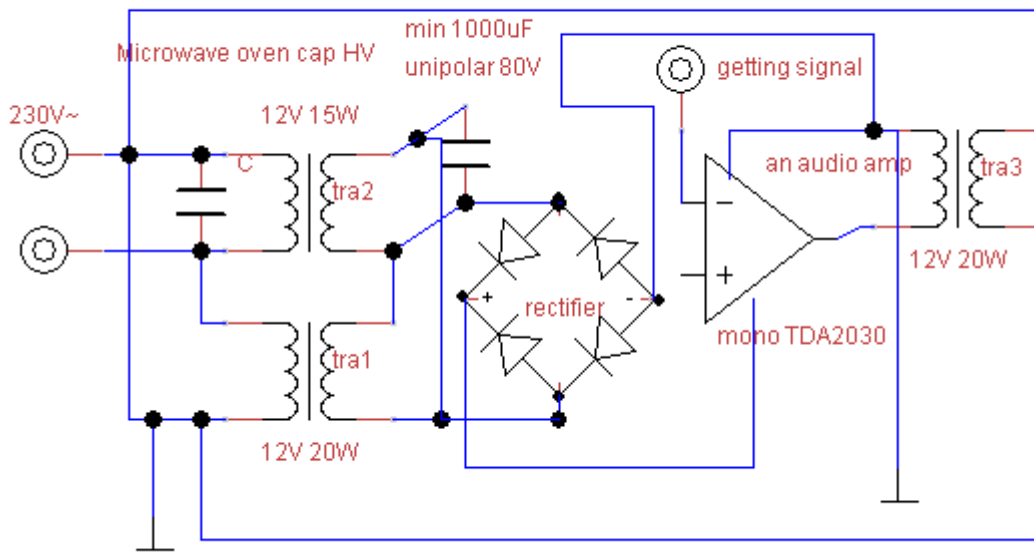
in an amplifier modified as modo online (switched on), exchange caps for higher voltage and capacitance, use two or three rectifier bridges, use resistor on input (3-5ohm), unground and insulate the chassis, don't use two phases in one device (minus is output). use 50Hz filter on output.

**Alternative schematics:**

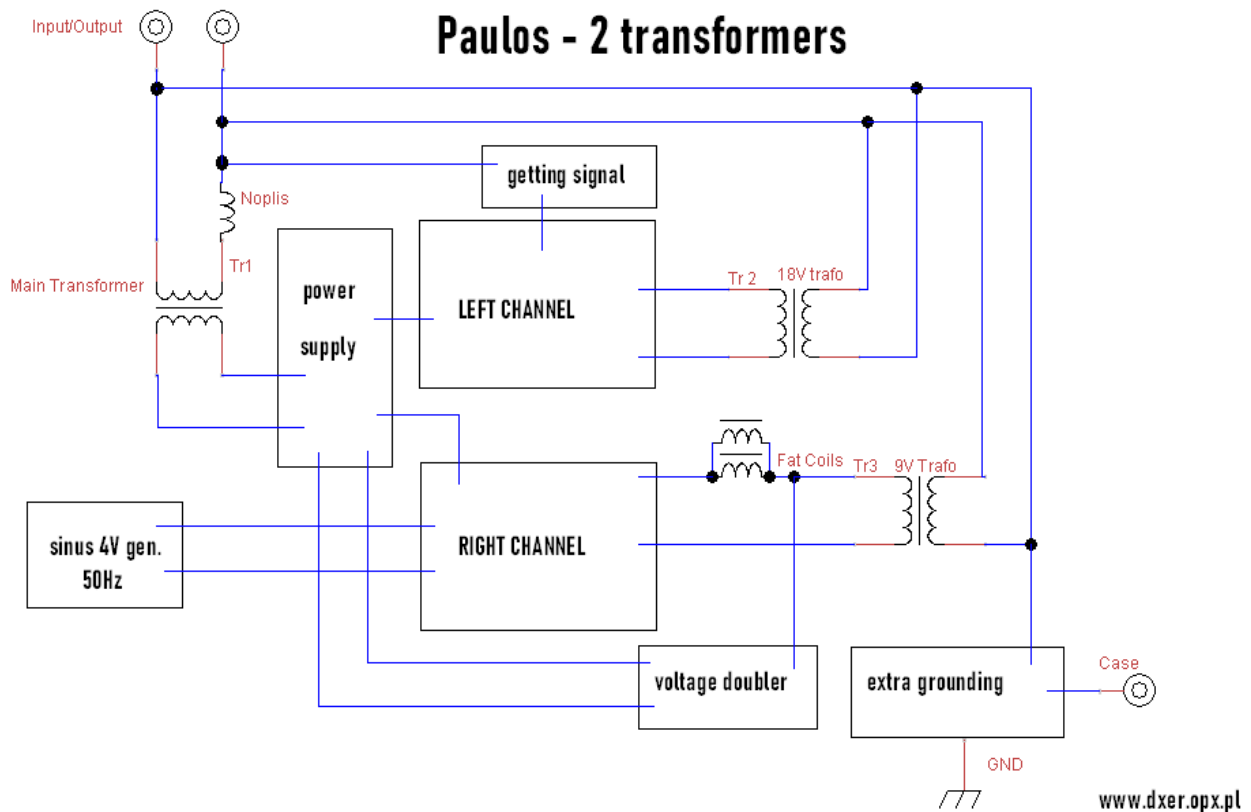




# KEEPER PAULOS

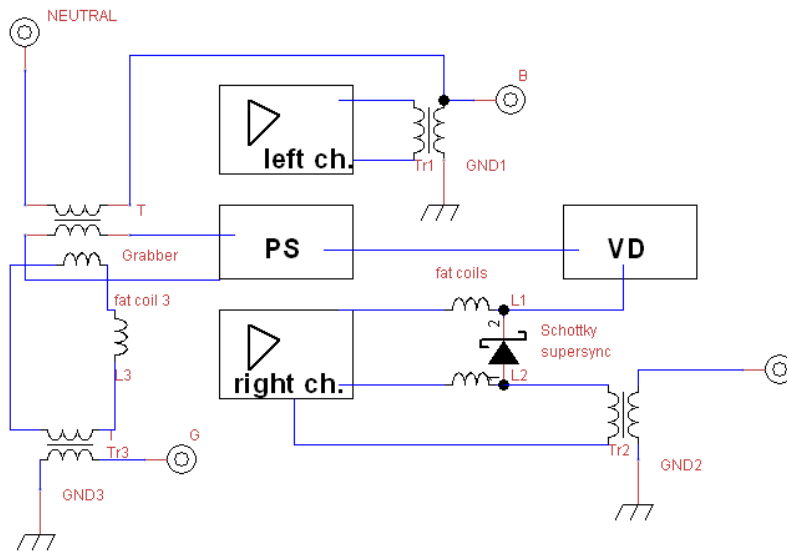


you may use other unipolar capacitor from a motor (the higher capacitance in uF). Tra3 is TS6/63. Normally use capacitor in power supply – the schematic lacks it. The unipolar cap used on ac line could have lower capacitance.



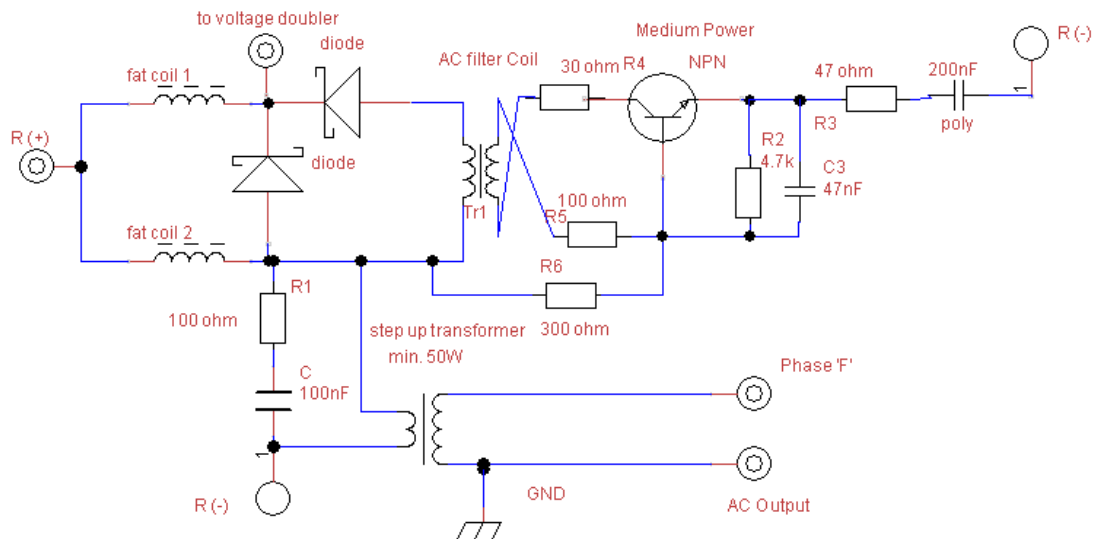


## Paulos GBF 3 Phase System



[www.dixer.opx.pl](http://www.dixer.opx.pl)

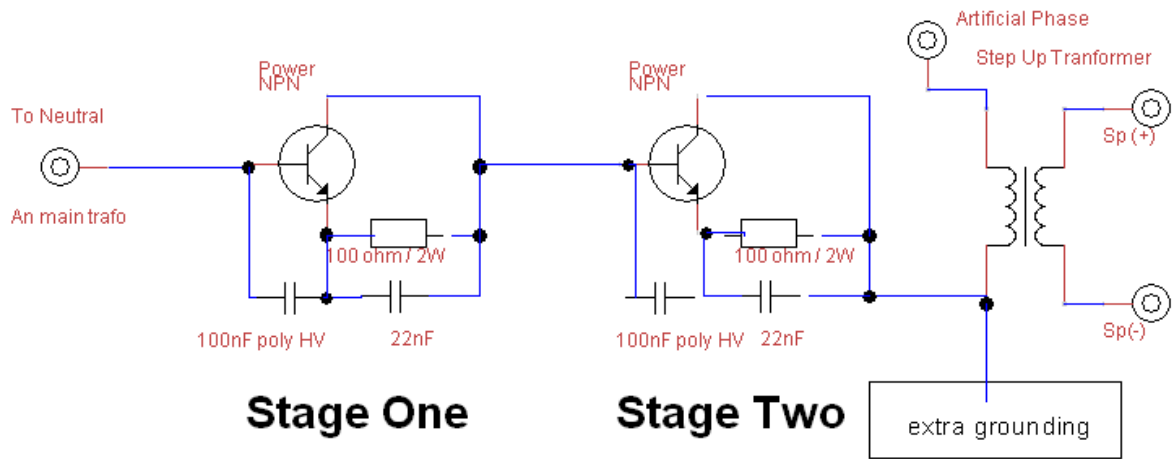
## Extrasync for Paulos



right channel powered up to 600Hz sinus  
 Tr1: 2x 120 turns 1:1 ratio transformer  
 if paulos Zet circuit used, then R1 =1,5k C=47 nF

To achieve better effects with Neutral reducing, try this circuit. One stage works fine with a generator version too.

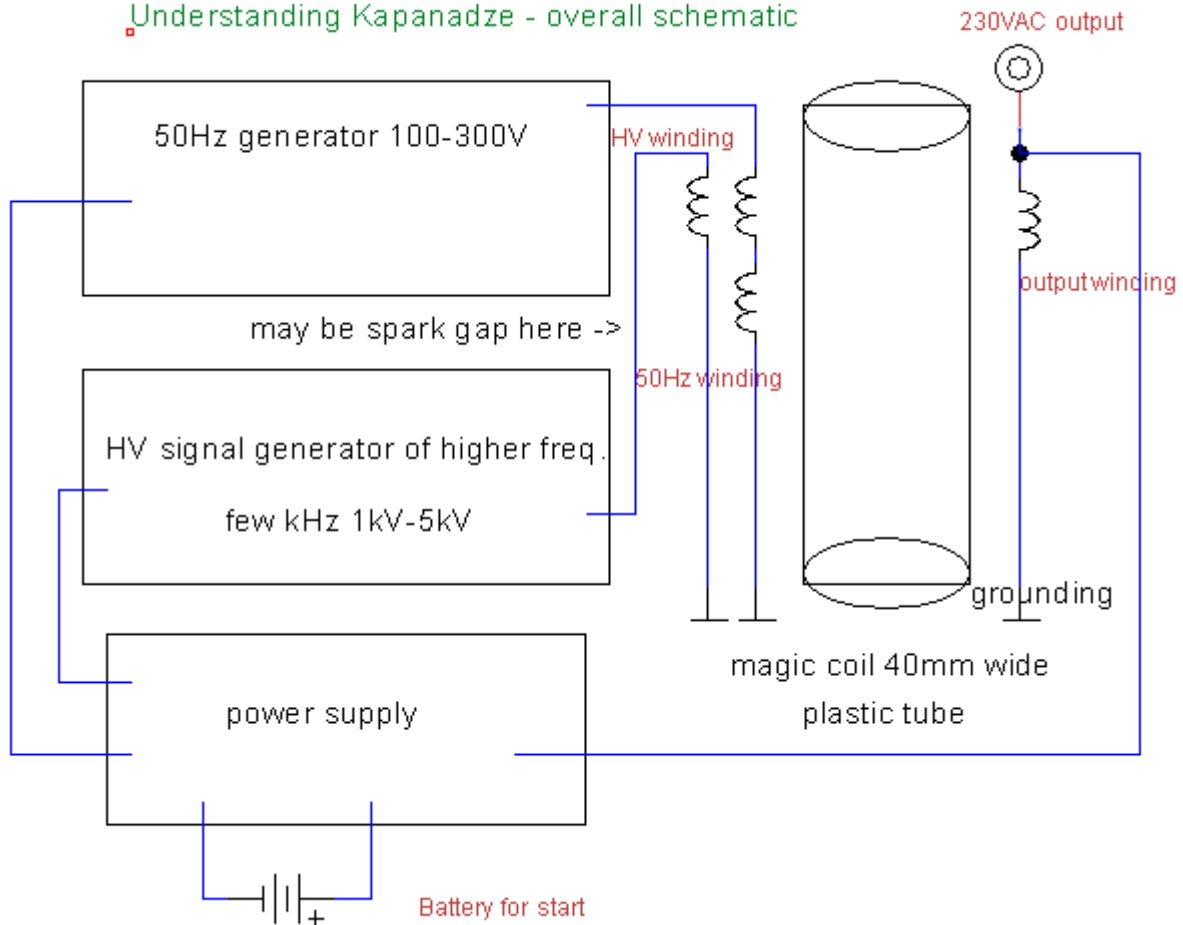
## Final Cut (For Paulos)



You may use one or two stages if more current on neutral

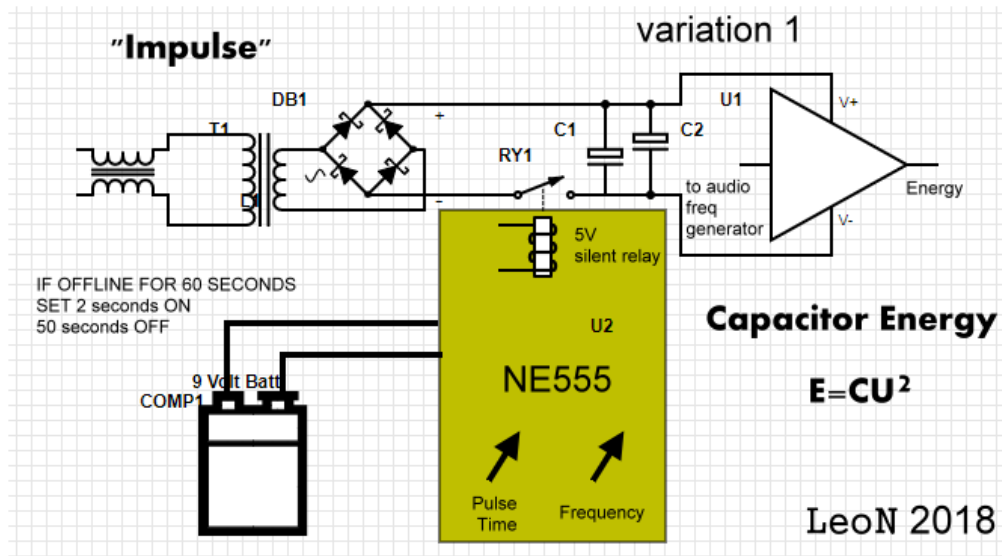
## 2. Understanding Kapanadze.

### Understanding Kapanadze - overall schematic



The given voltage may be much lower and still resonance may be achieved in the magic coil. The only important thing is that the winding are based on a 40-50mm plastic tube. You can use a plastic pipe from a universal sealant gun or a piece of pipe for bathroom armature (the white one is 40mm wide). The number ratio of turns for a winding is not restricted. But about 20 turns is the minimum on the generator side. 40-150 turns will work best. Sometimes, when everything is fine and high voltage used, the output coil will only have 6-8 turns. To tune Kapanadze the frequency of a hv signal needs to be tuned via RC circuit (on any multivibrator that is amplified somehow, even by tv flyback or microwave oven transformer). The second one is 50Hz stable. Only voltage should be tuned. To know more, search for SR193 Kapanadze schematic and Dally Kapanadze schematic on Google and overunity.com.

### 3. Impulse



May be added to a ground line in symetric power supplies or other classic supplies, in i.e. Audio Amplifiers.  
Works only with a 0,1-1F overall supply.  
Better with high voltages (only selected power amplifiers works with 40-60V lines).  
Connecting capacitors in parallel doesn't increase voltage durability.  
If you connect them in series to raise durability don't set them equal, it's the worst case.  
One should be enough different from the other. For example 22F 2.5V and 2.2uF 50V :)

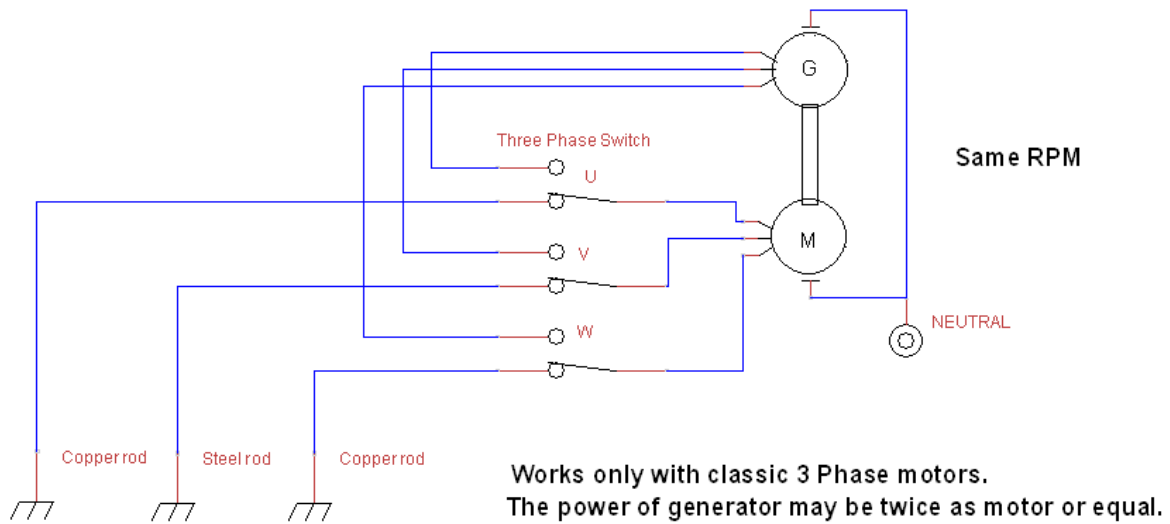
Kleo

Even if your time ratio is 1:2 powered and unpowered, you can save your battery.

#### 4. Qmogens with classic 3 phase motors/generators.

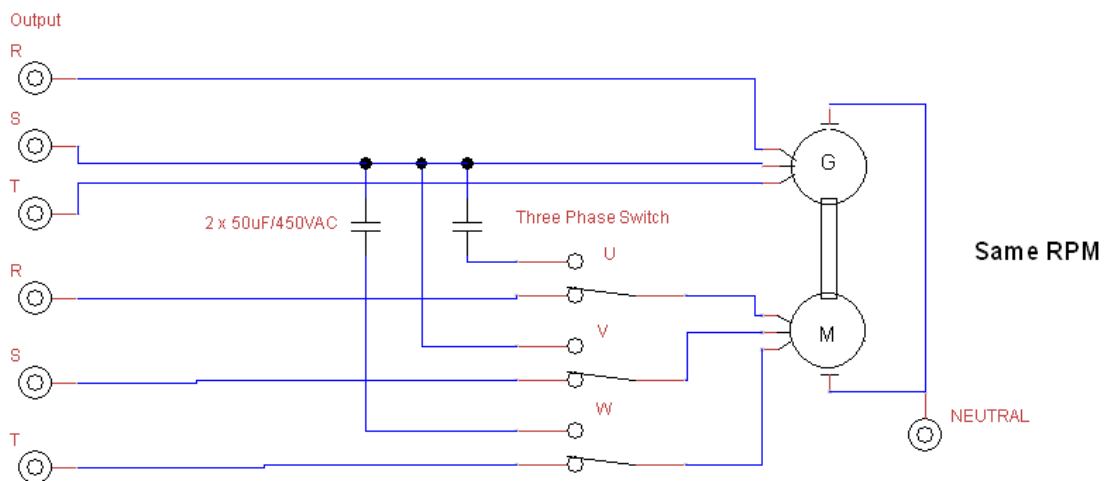
If your system does not work with capacitors, you may connect wires straight. Capacitors are to save energy. Motors/generators needs to be working (three windings correct).

### BeachBall Qmogen (self-start)



Self starting Qmogen proposition. You may use three groundings though they must be different (magnetism problem). With some modern motors all grounding may be connected to one and no matter of used material – any steel rod.

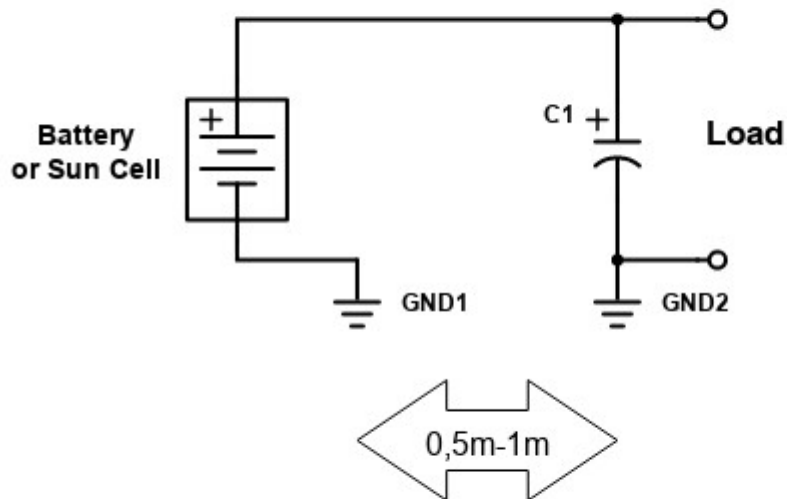
### Thumb Qmogen (saves energy)



You may use 40uF caps also.

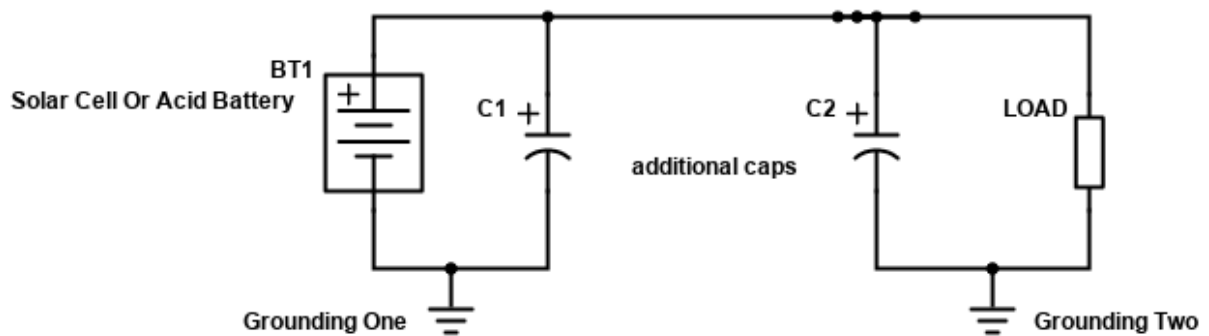
## 6. Negative Return.

### Negative Return ®



**5 times lower power consumption,  
make good groundings**

### Negative Return - making batteries more efficient



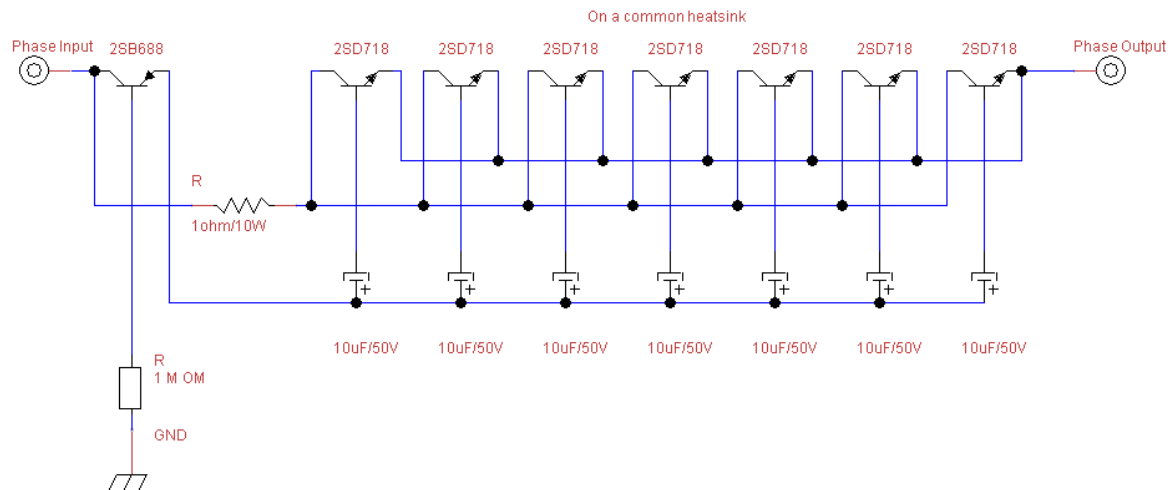
## **7. Barbarella (Understanding Kapanadze 2)**

Simple Barbarella: Wound 3 or 4 windings different turns (40-120) on 40mm plastic pie 30cm long by 0,35mm<sup>2</sup> insulated wire. Set two or three multivibrators with different voltages and frequencies. Take output voltage from one of the windings. Tune it to 230VAC by frequencies and voltages on multivibrators. Close the loop with supplying the multivibrators.

## 9. Modo. (Phase Go Through – Phase Replication)

Take an amplifier, connect phase input into speaker plus via 5 ohm 100W, connect phase output from minus. Unground amplifier case, best are with wooden enclosure. You may turn on amplifier to boost the effect saving energy on phase, but be very careful, from time to time in such mode, this may blow your amplifier so modification may be necessary (like exchanging caps for bigger). Try with this Modo: <https://www.youtube.com/watch?v=EzA6NjynDOc> plus is the input in this model, don't turn it on, it works offline. It can save up to 90% of energy.

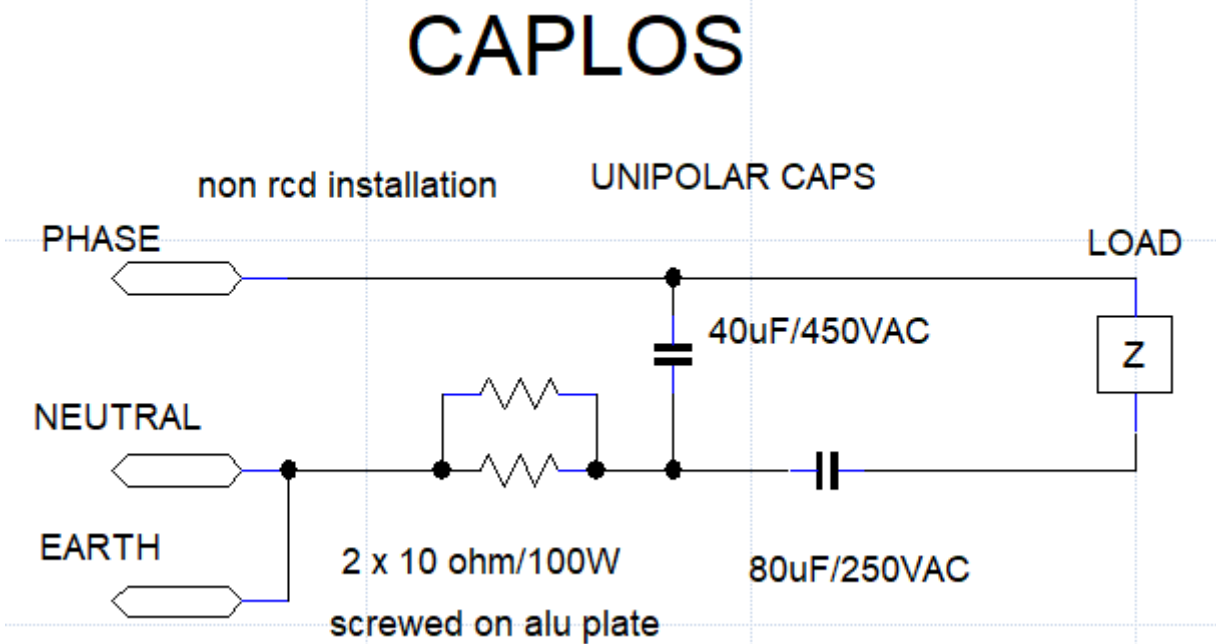
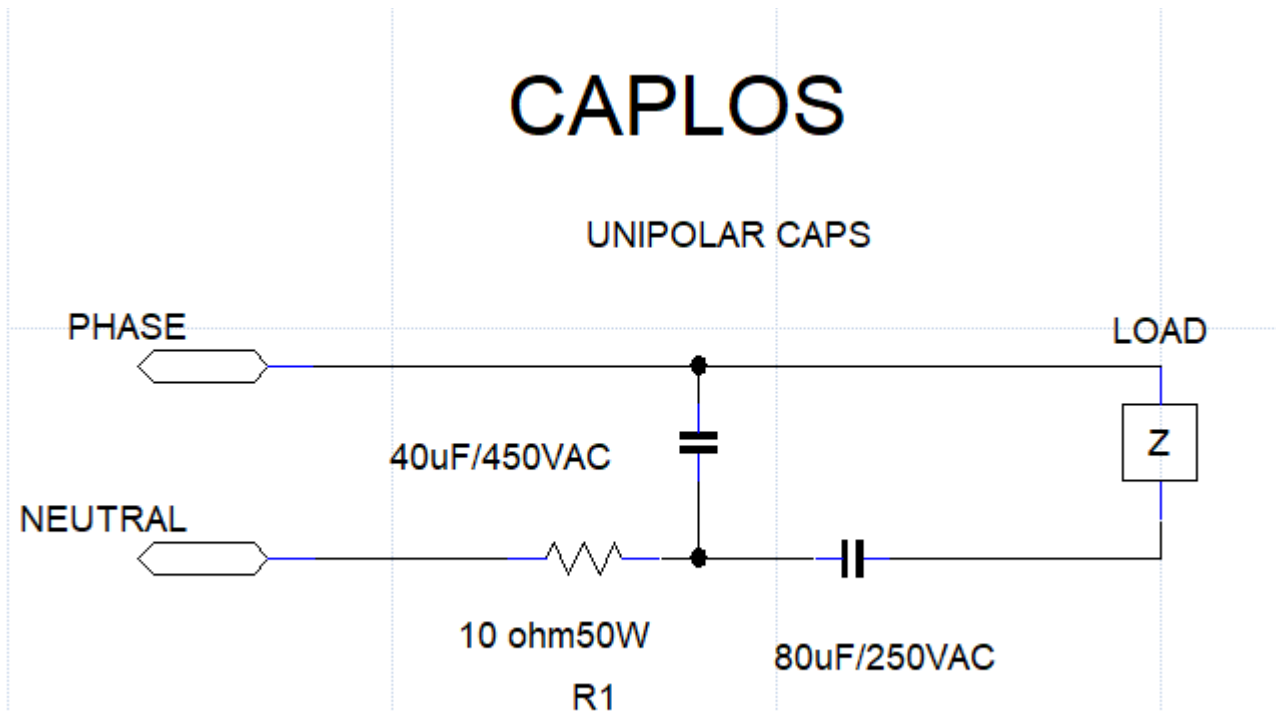
### Modo





## 15. Caplos

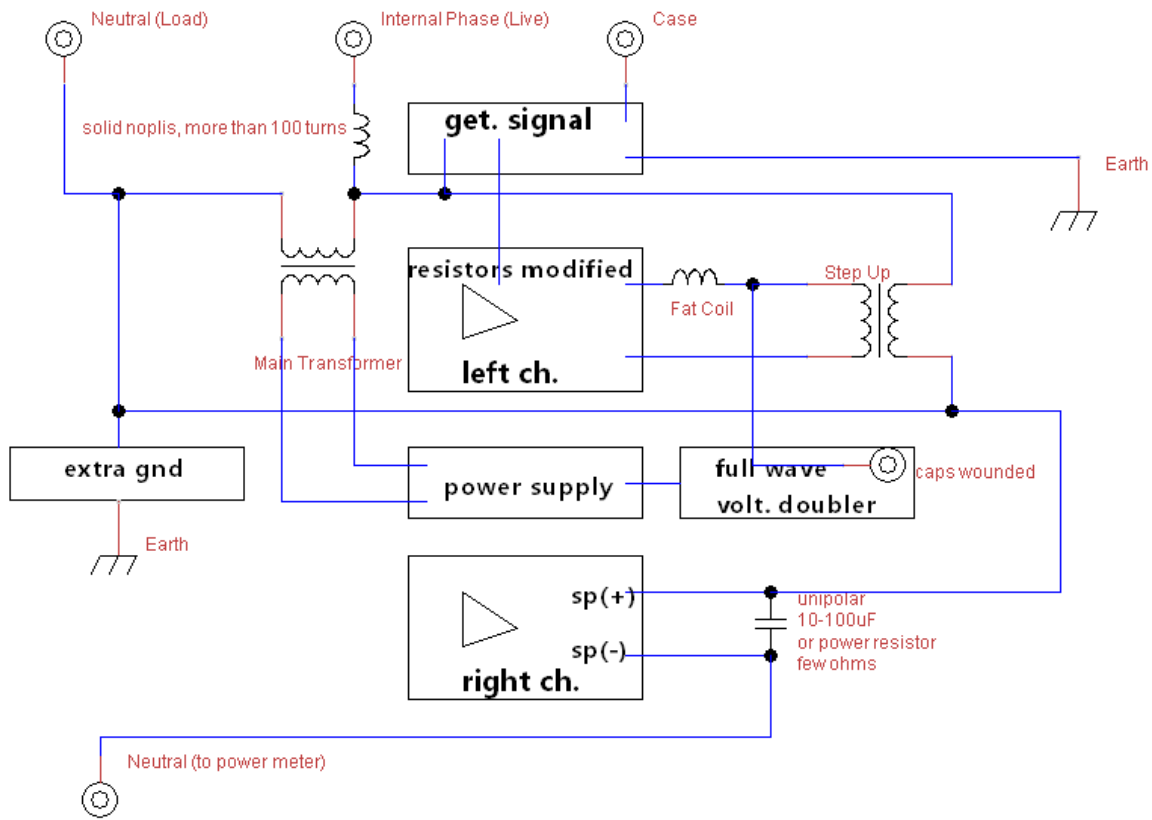
It reduces the current on neutral line and saves your money on power bill:



You may leave the resistors, still will work fine or better. Especially for active loads.

**16. Drinking Neutral (breaking the Kirchoff Current Law in AC branches).**

**Paulos Baby (neutral sucker)**



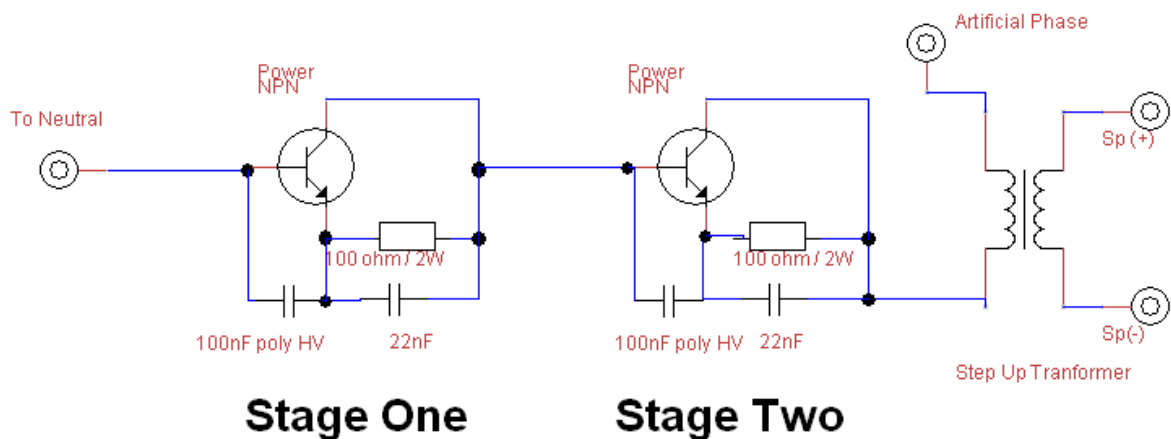
**Notes:**

the neutral goes through

you may cut the right ch. speaker minus from chassis to achieve better effects

Here I got some update on Paulos Baby. For better sucking the neutral. This circuit is called Final Cut. You may experiment with cap values. Resistor rather 100 ohm. Only transistor works too, but not that efficient.

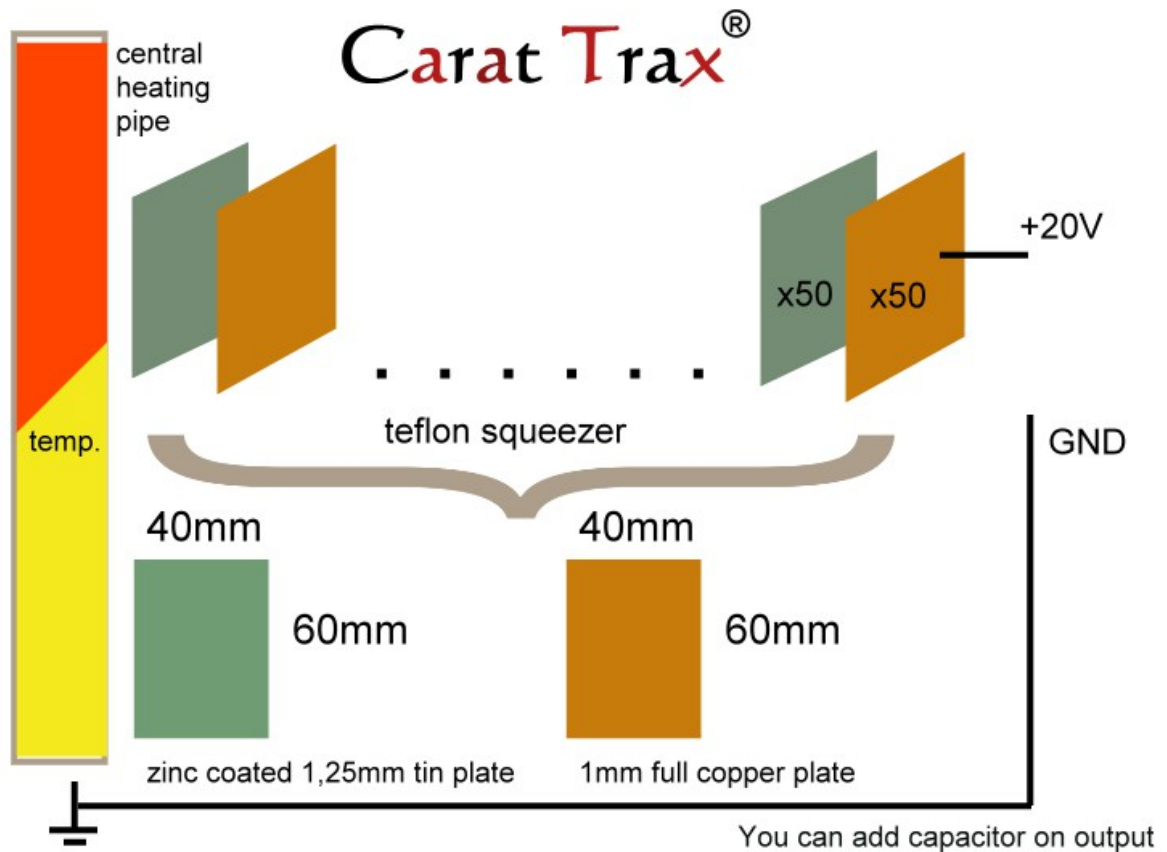
**Final Cut (For Paulos)**



**You may use one or two stages if more current on neutral**



## 17. Carat Trax Battery



You can paint the squeezed plates with chokeberry or blackberry juice (added sugar) mixed with pulverized coal. Proportion 1:1. Add extra watts.

Można pomalować farbą z soku z aronii albo czarnej porzeczki zmieszanej ze sproszkowanym węglem drzewnym.

ver.2.0

# Carat Trax Inverter proposition



Free Energy Quest (handbook) by dxer\_87 at [overunity.com](http://overunity.com) and [diyaudio.com](http://diyaudio.com), [edaboard.com](http://edaboard.com)

All proposed projects are Open Source, even if invented by me. Some of the proposed schematics come from other friends in the global community. Thanks for your support.

Print it, give it to friends! VERSION 3. Przemysław Jagielski 2023